

DUAL OUTPUT, NON-CONTACT POTENTIOMETER - DATA SHEET

PART NUMBER PE-002-3001

Mechanical Specifications

Mechanical travel 0° to +180° with stops  
 Frequency response 1,000Hz minimum  
 Rotational torque 0.025 – 0.110 N-m  
 Weight 35 grams (approx.)

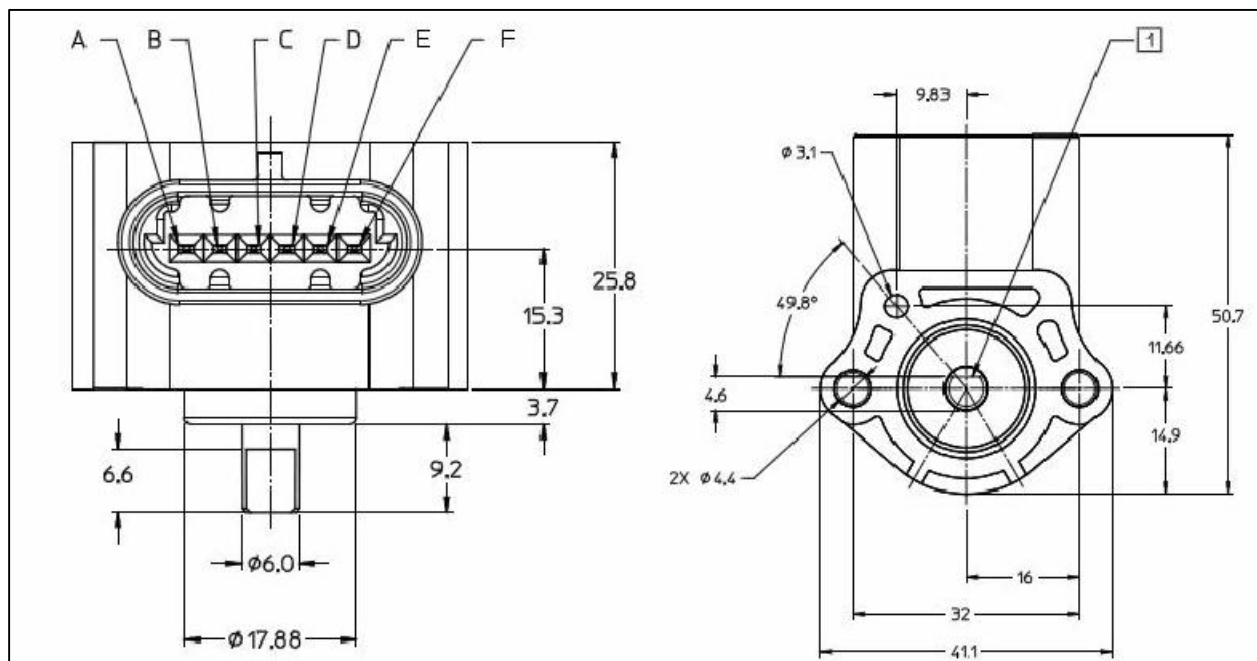
Electrical Specifications

Mechanical input range 0° to +180°  
 Input voltage 5.0 V±0.25V DC  
 Input current 18mA maximum per output  
 36mA maximum total (both channels)  
 Sensor 0.25V – 4.75V for Analog at 5.0V input  
 5% – 95% duty cycle for PWM  
 Accuracy ±0.6% of full scale at room temperature  
 ±0.9% of full scale over operating temperature range  
 Resolution Analog (continuous)

Environmental Specifications

Electromagnetic compatibility 100V/meter, 14kHz – 1GHz range  
 Vibration 10G peak, 20 – 2,000 Hz  
 Shock 50Gs, half sine pulse, 5 m sec duration  
 Side load 1kg for 1 million cycles  
 Operating temperature range -40°C to +85°C  
 Storage temperature range -55°C to +105°C

Note: All dimensions are shown in millimeters  
 Note 1 : Shaft is positioned at 50% voltage output



CONNECTOR PIN OUTPUT

	<u>SENSOR 1</u>	<u>SENSOR 2</u>
Vs (INPUT)	F	B
GROUND	E	A
OUTPUT	C	D